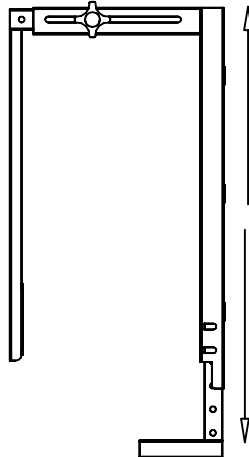


Holes for mounting under desktop

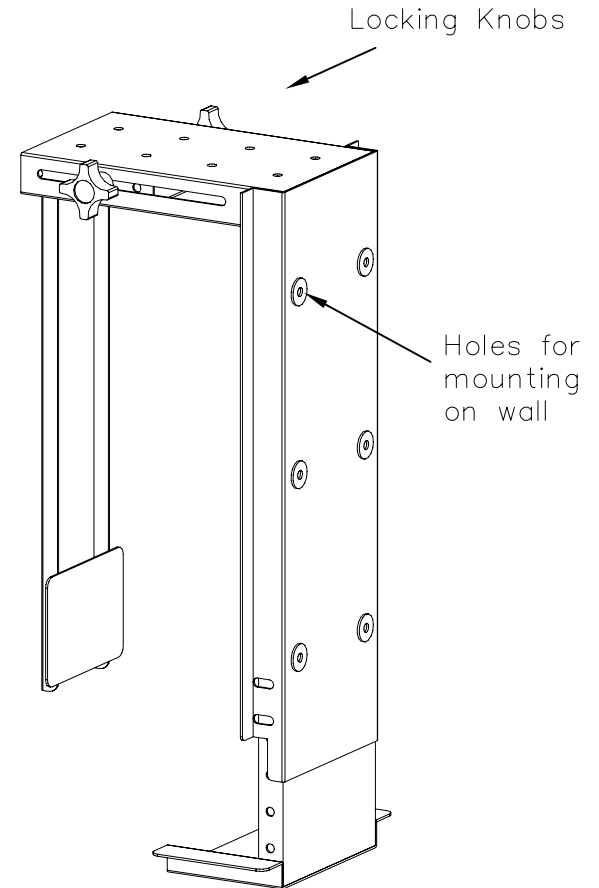
Top View

Depth Adjustable  
(2.75" - 8.8")



Height Adjustable  
(14.4" - 26.4")

Side View



Iso View

NOTES :

MATERIAL :  
AS NOTED ABOVE

TOLERANCES UNLESS OTHERWISE SPECIFIED  
FRACTIONAL ±1/64  
2 PLC. DEC. ±.01  
3PLC. DEC. ±.001  
ANGULAR ±.5°  
FINISH √

DRAWN BY : R.M/VGM/LV

DATE: 04/24/05

DESCRIPTION : CS13-25 \_VER 3

A P P R O V E D

ENG :

MFG :

QA :

SCALE : N.T.S.

SHEET : 1 OF 1

USED ON :

PATH :

Fin assem/acces/cpu hold/cs(13-25)

PDF NAME:

CS13-25\_VER3