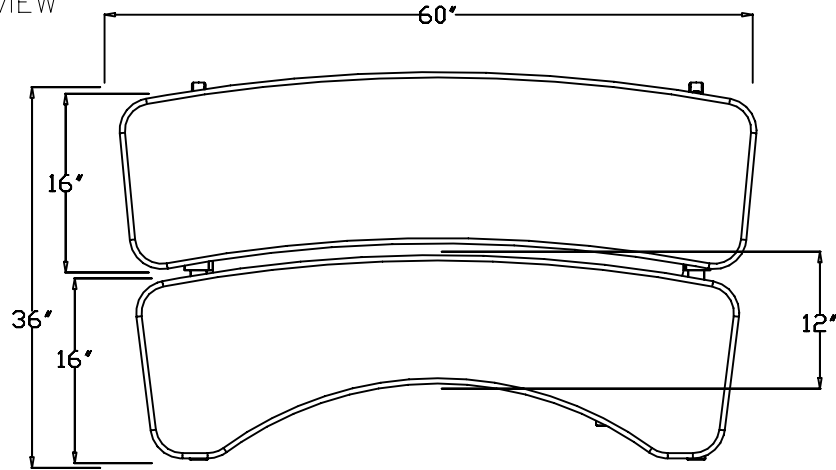
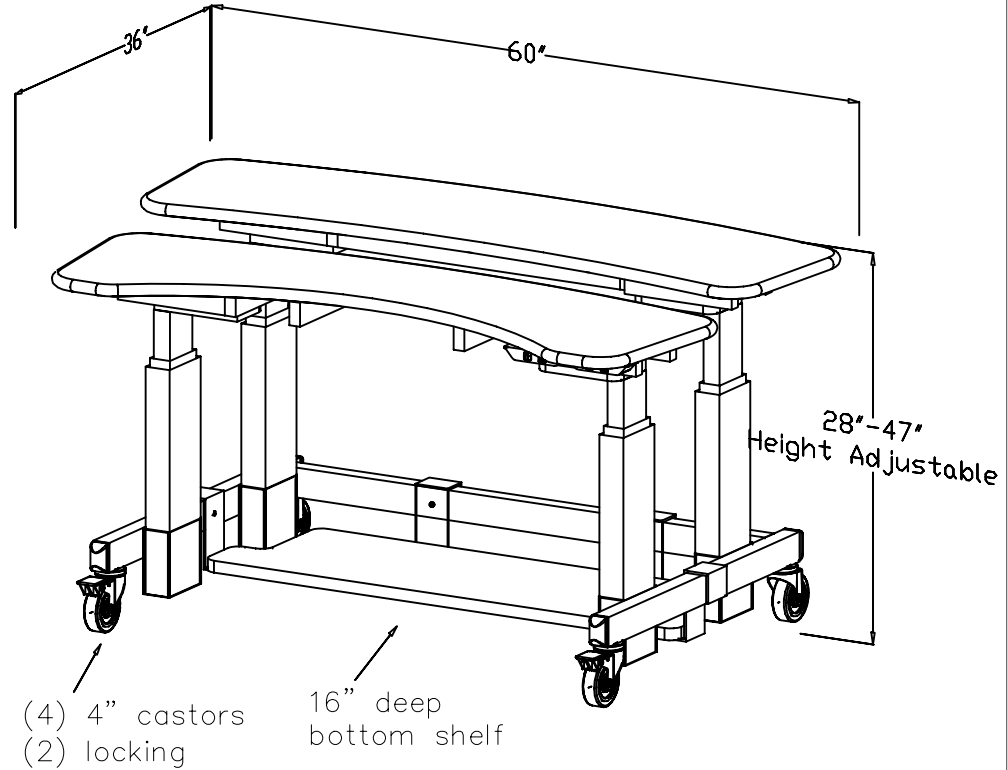


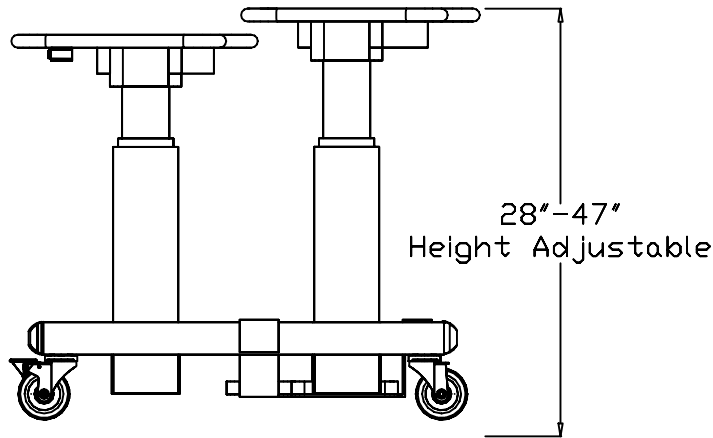
TOP VIEW



ISO VIEW



SIDE VIEW



NOTES :

MATERIAL :
AS NOTED ABOVE

TOLERANCES UNLESS OTHERWISE SPECIFIED
FRACTIONAL ±1/64
2 PLC. DEC. ±.01
3PLC. DEC. ±.001
ANGULAR ±.5°
FINISH √

DRAWN BY : R.M

DATE: 05/20/04

DESCRIPTION : DT6036

A P P R O V E D

ENG :

MFG :

QA :

SCALE : N.T.S.

SHEET : 1 OF 1

USED ON :

PATH : \FINAL ASSEMB\DUAL TIER\DT6000

PDF NAME: DT6036_S_0000_00_00_0_B_000_01(SF)