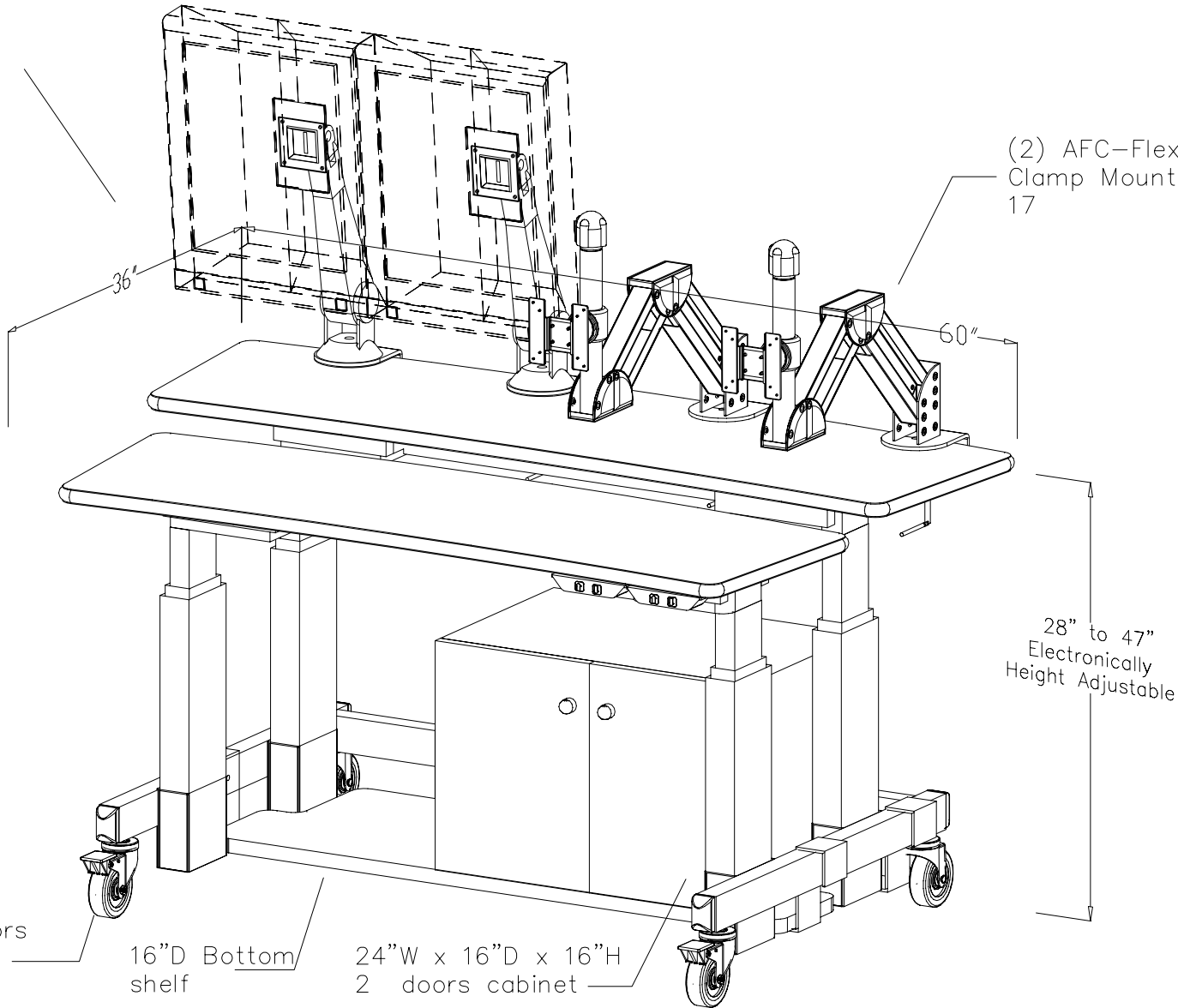


(2) AFC-02
Clamp Mount

(2) AFC-FlexoArm
Clamp Mount with AFC
17



(4) 4" castors
(2) locking

16"D Bottom
shelf

24"W x 16"D x 16"H
2 doors cabinet

28" to 47"
Electronically
Height Adjustable

NOTES :

MATERIAL :
AS NOTED ABOVE

TOLERANCES UNLESS
OTHERWISE SPECIFIED
FRACTIONAL ±1/64
2 PLC. DEC. ±.01
3PLC. DEC. ±.001
ANGULAR ±.5°
FINISH 32/

DRAWN BY : VGM

DATE: 04/11/06

DESCRIPTION : DT6036

A P P R O V E D

ENG :

MFG :

QA :

SCALE : N.T.S.

SHEET : x x x

USED ON :

PATH :
\\FINAL ASSEMB\Dual TIER\DT6000\ Custom

PDF NAME:
DT6036_S_0000_4F_00_0_B_00Cabby_04