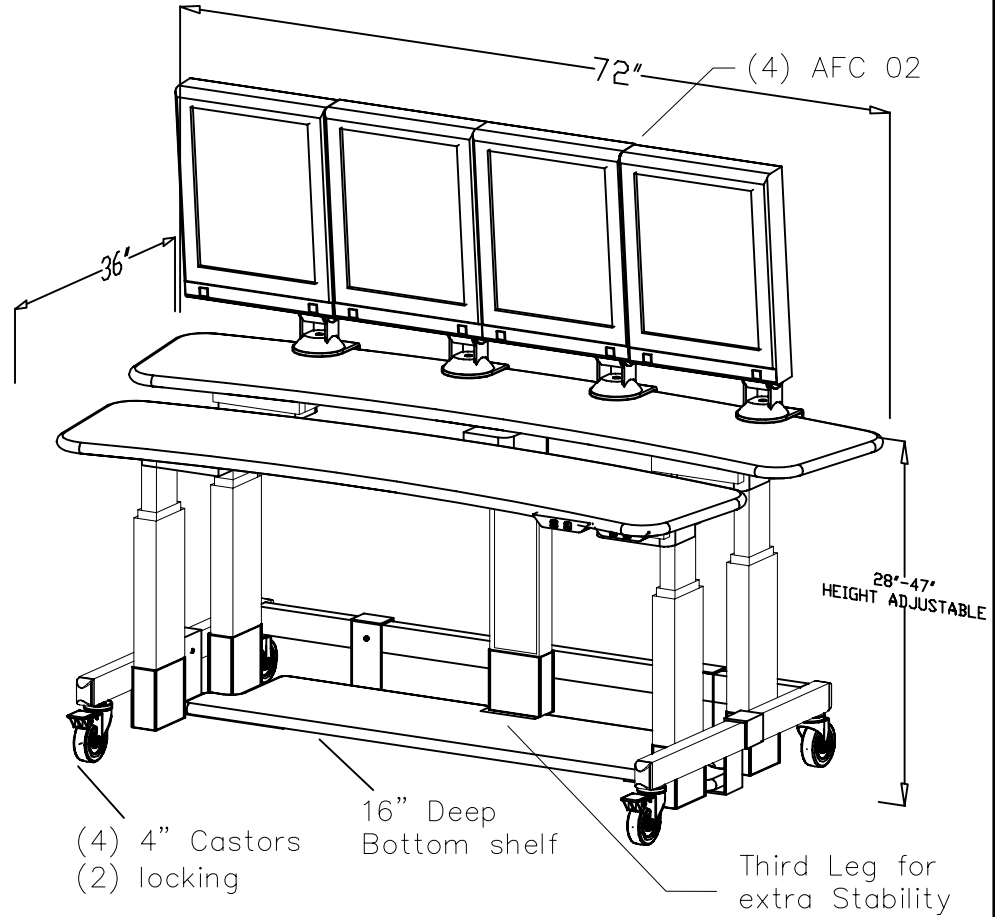
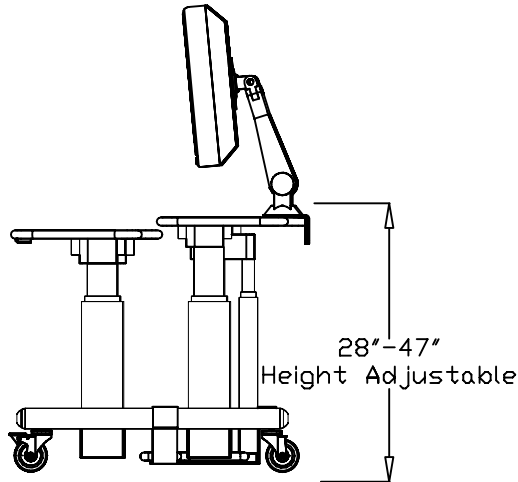


Top view

Iso View



Side View



NOTES :

MATERIAL :
AS NOTED ABOVE

TOLERANCES UNLESS OTHERWISE SPECIFIED
FRACTIONAL ±1/64
2 PLC. DEC. ±.01
3PLC. DEC. ±.001
ANGULAR ±.5°
FINISH √

DRAWN BY : R.M\VGM

DATE: 10/13/06

DESCRIPTION :
DT 7236

A P P R O V E D

ENG :

USED ON :

MFG :

PATH :
FINAL ASSEM\MAXFLEX SER\DT7200

QA :

DT7236_S_0000_4F_00_0_B_000_06

SCALE : N.T.S.