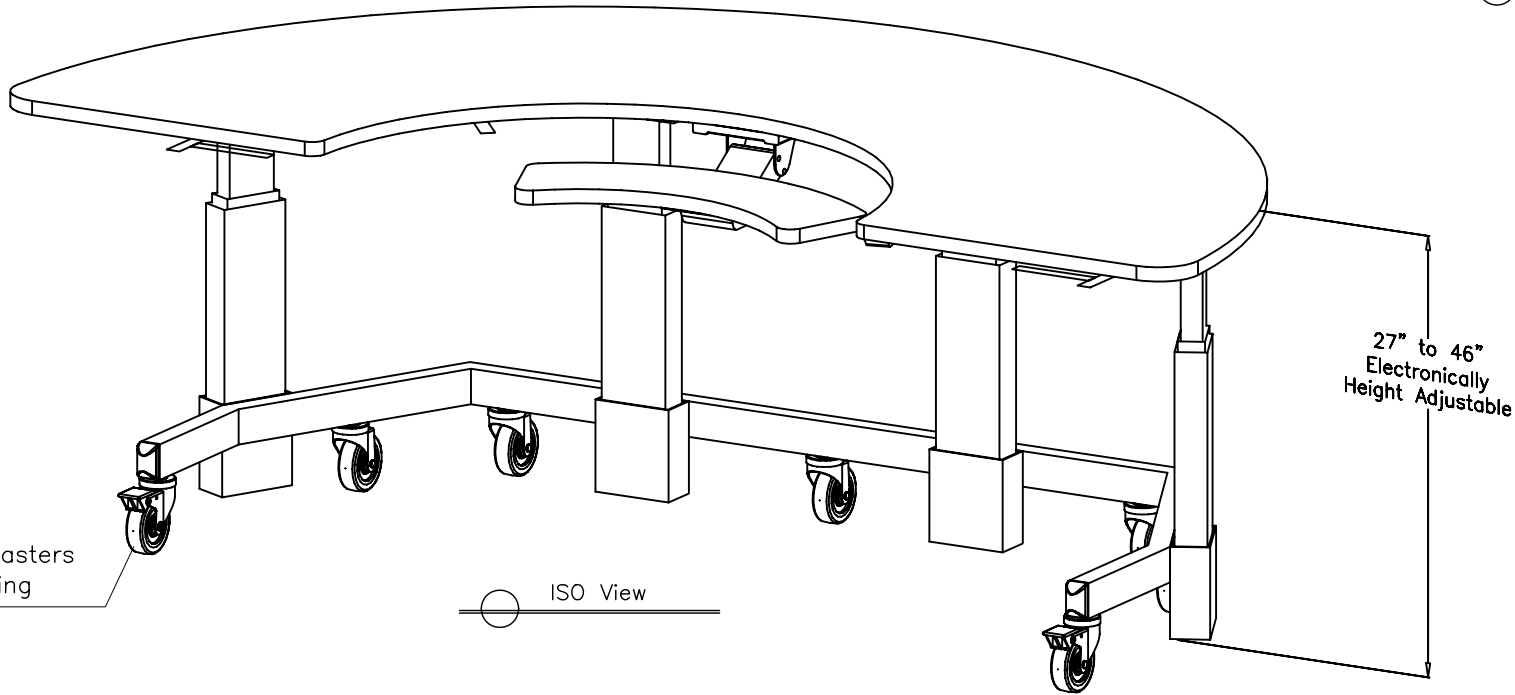


Plan View



ISO View

- (7) 4" Casters
- (2) Locking

NOTES :

MATERIAL :  
AS NOTED ABOVE

TOLERANCES UNLESS OTHERWISE SPECIFIED

FRACTIONAL ±1/64  
2 PLC. DEC. ±.01  
3PLC. DEC. ±.001  
ANGULAR ±.5°  
FINISH 32/

DRAWN BY : Larissa V/RS  
DATE: 01/16/07

A P P R O V E D

ENG :  
MFG :  
QA :

SCALE : N.T.S. SHEET : 1 OF 1

DESCRIPTION :  
Custom

USED ON :

PATH :  
F.ASSMBLY/MAXFLEXSERIES/Half Moon

NUMBER :  
HM\_9346\_000\_01

REV: SIZE  
A