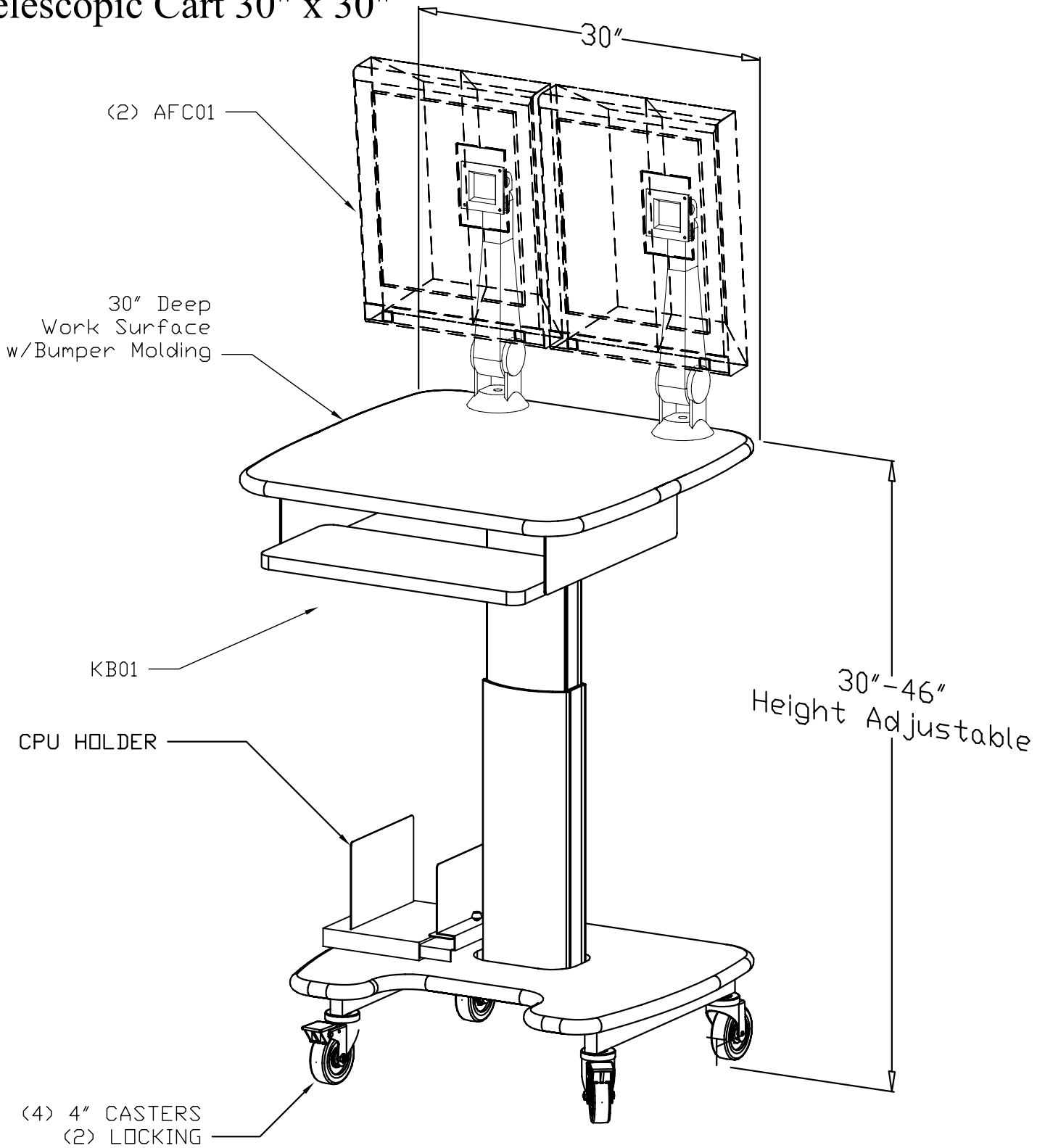


Telescopic Cart 30" x 30"



MATERIAL :	DRAWN BY : CJD	DATE: 04/25/07	DESCRIPTION :
	A P P R O V E D		TS CART
TOLERANCES UNLESS OTHERWISE SPECIFIED FRACTIONAL ±1/64 2 PLC. DEC. ±.01 3PLC. DEC. ±.001 ANGULAR ±.5' FINISH √	ENG :		USED ON :
	MFG :		PATH :
	QA :		FIN. Final Assemblies\MAXFLEX\TC3000\TC3030
	SCALE: N.T.S.	SHEET : C1	PDF NAME: TC3030<DX>_B_1620_2F_00_00_B_000_02