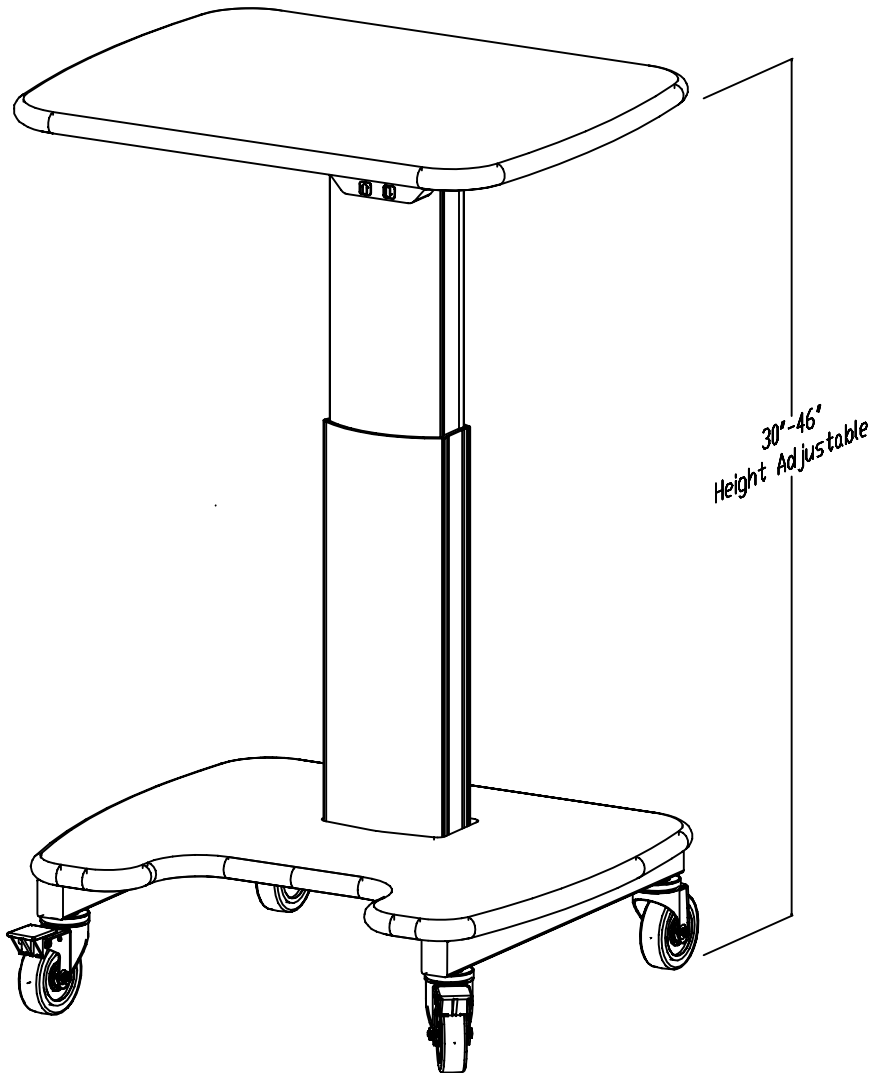


WORK SURFACE IS  
30" WIDE X 24" DEEP  
SPECLE GRAY MICA  
GRAY BUMPER MOLDING



BOTTOM SHELF  
30" WIDE X 24" DEEP  
SPECLE GRAY MICA  
GRAY BUMPER MOLDING

4" DIA WHEELS

MATERIAL :	DRAWN BY : DJW	DATE: 07/12/05	DESCRIPTION :
	A P P R O V E D		Deluxe Height Adjustable Cart 30" x 24"
TOLERANCES UNLESS OTHERWISE SPECIFIED FRACTIONAL ±1/64 2 PLC. DEC. ±.01 3PLC. DEC. ±.001 ANGULAR ±.5° FINISH √	ENG :		USED ON : XX
	MFG :		PATH : F.Assembly\Maxflex\Telescopic\TC3000\TC3024
	QA :		NUMBER : TC3024_DX_0000_00_00_000_01
	SCALE: N.T.S.	SHEET : 1 OF 1	REV: SIZE A