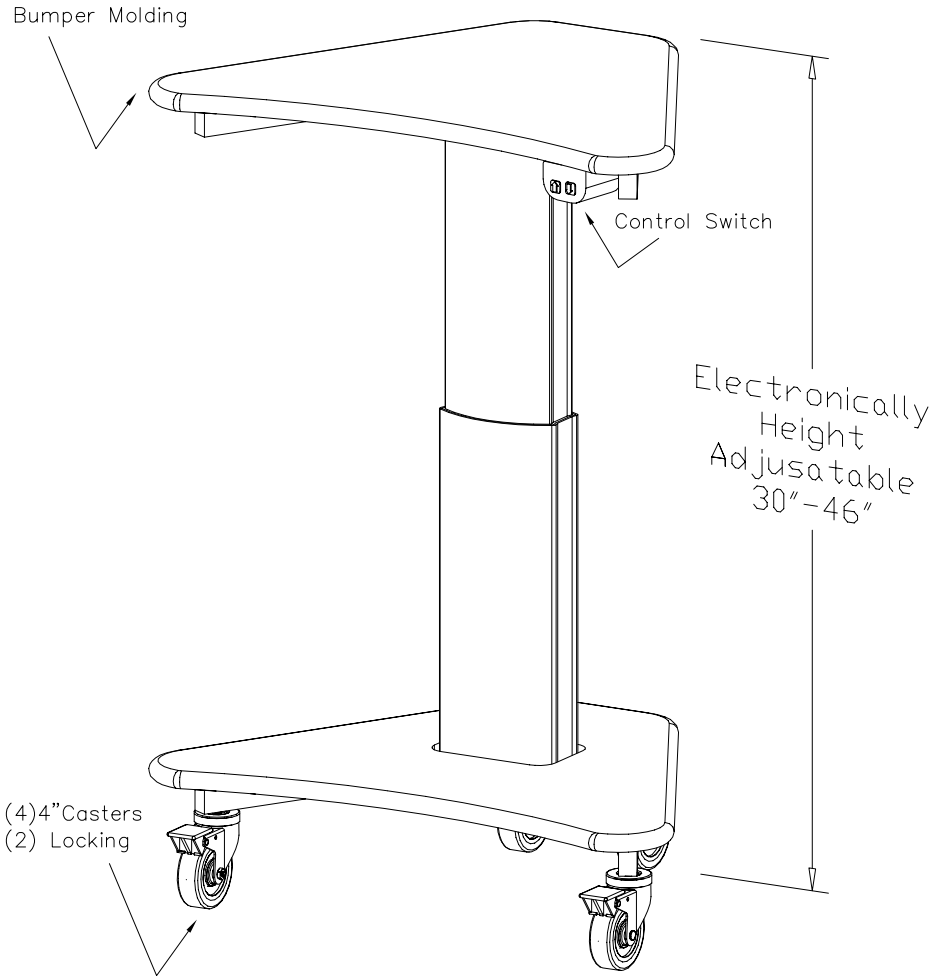
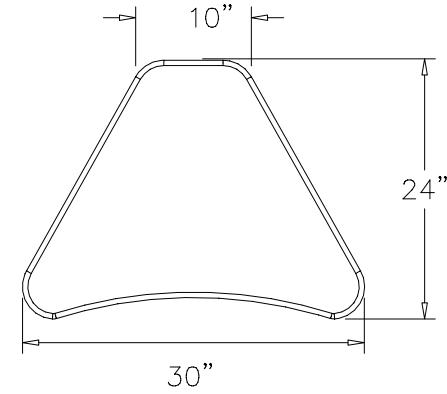


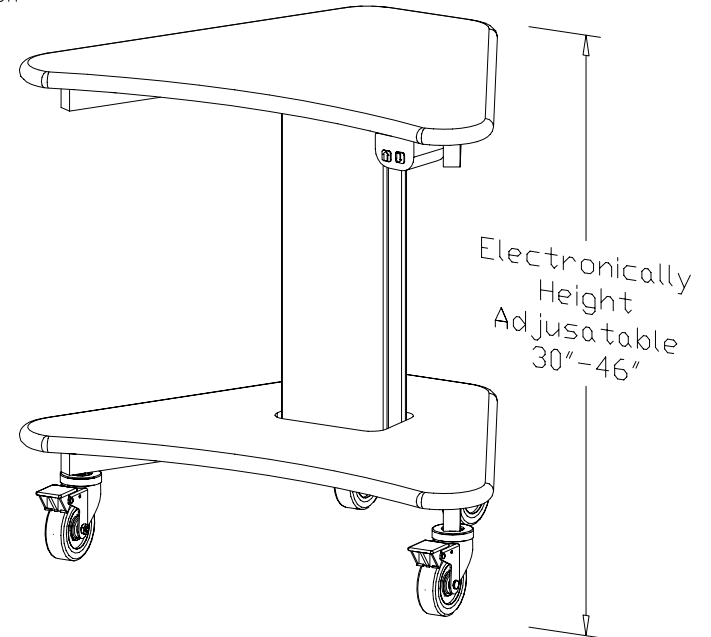
Iso View
Standing Position



Top View



Iso View
Seated Position



NOTES :

MATERIAL :
AS NOTED ABOVE

TOLERANCES UNLESS OTHERWISE SPECIFIED
FRACTIONAL ±1/64
2-PLC. DEC. ±.01
3-PLC. DEC. ±.001
ANGULAR ±.5°
FINISH 32/

DRAWN BY : VGM

DATE: 06/09/05

DESCRIPTION :
Corner Telescopic

A P P R O V E D

ENG :

MFG :

QA :

SCALE : N.T.S.

SHEET : 1 OF 1

USED ON :

PATH :
F.Assmby\MaxFlex\TSC3000\Corner

PDF NAME:
TSC3024_01

FOLDER :

REV: SIZE
A