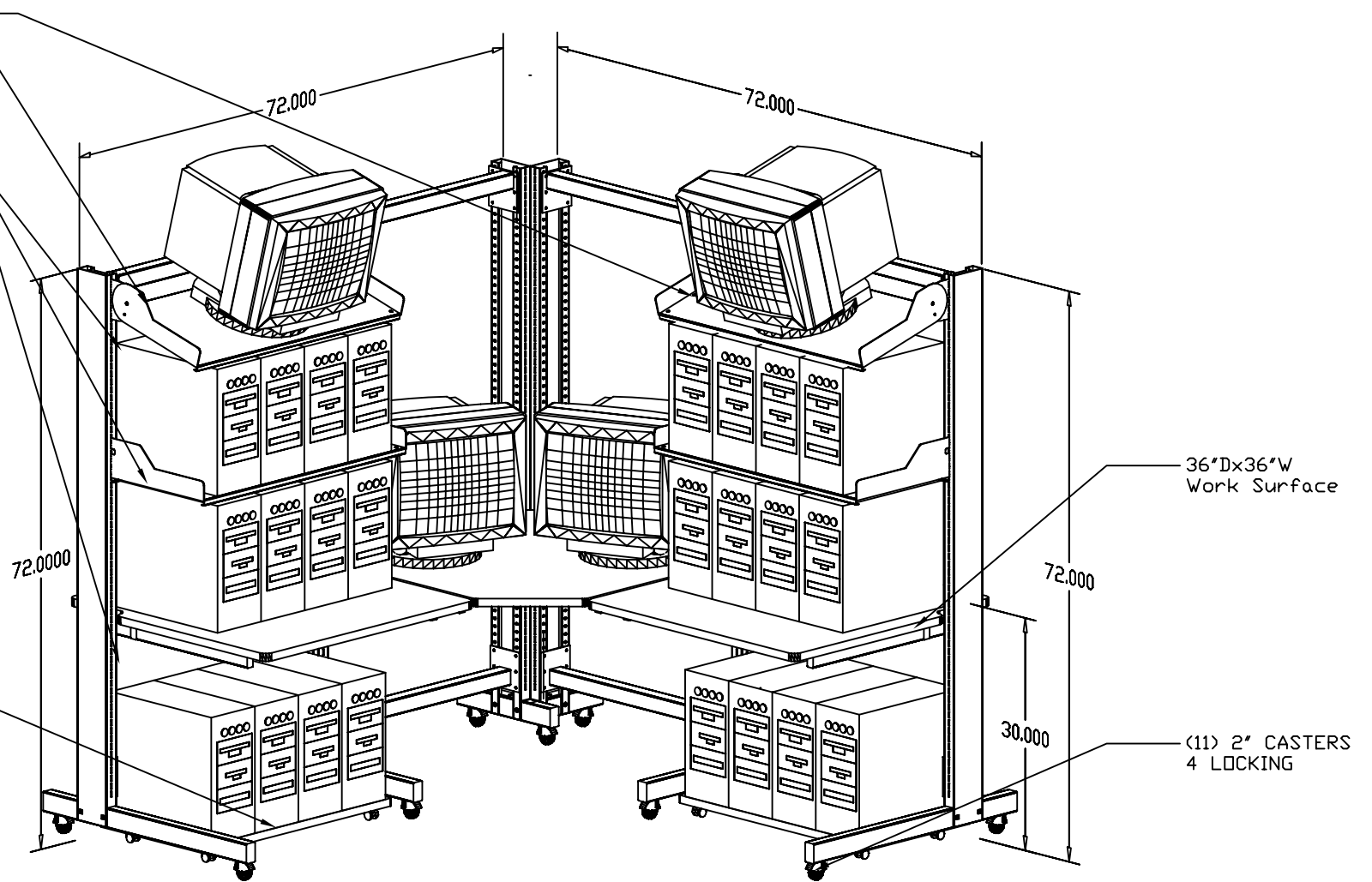


METAL TILT
SHELVES 34" W
16" D

METAL SHELVES
34" W 16" D

ROLLING SHELF
PLATFORM



36"Dx36"W
Work Surface

(11) 2" CASTERS
4 LOCKING

NOTES :

Option #1
Corner smart rack to
accommodate 4 monitors
and 24 CPU units

MATERIAL :

AS NOTED ABOVE

TOLERANCES UNLESS
OTHERWISE SPECIFIED

FRACTIONAL ±1/64
2-PLC. DEC. ±.01
3-PLC. DEC. ±.001
ANGULAR ±.5°
FINISH 32/

DRAWN BY : DJW

DATE: 02/10/05

A P P R O V E D

DESCRIPTION :

Corner Smart Rack

ENG :

MFG :

QA :

SCALE : N.T.S.

USED ON :

Visicu

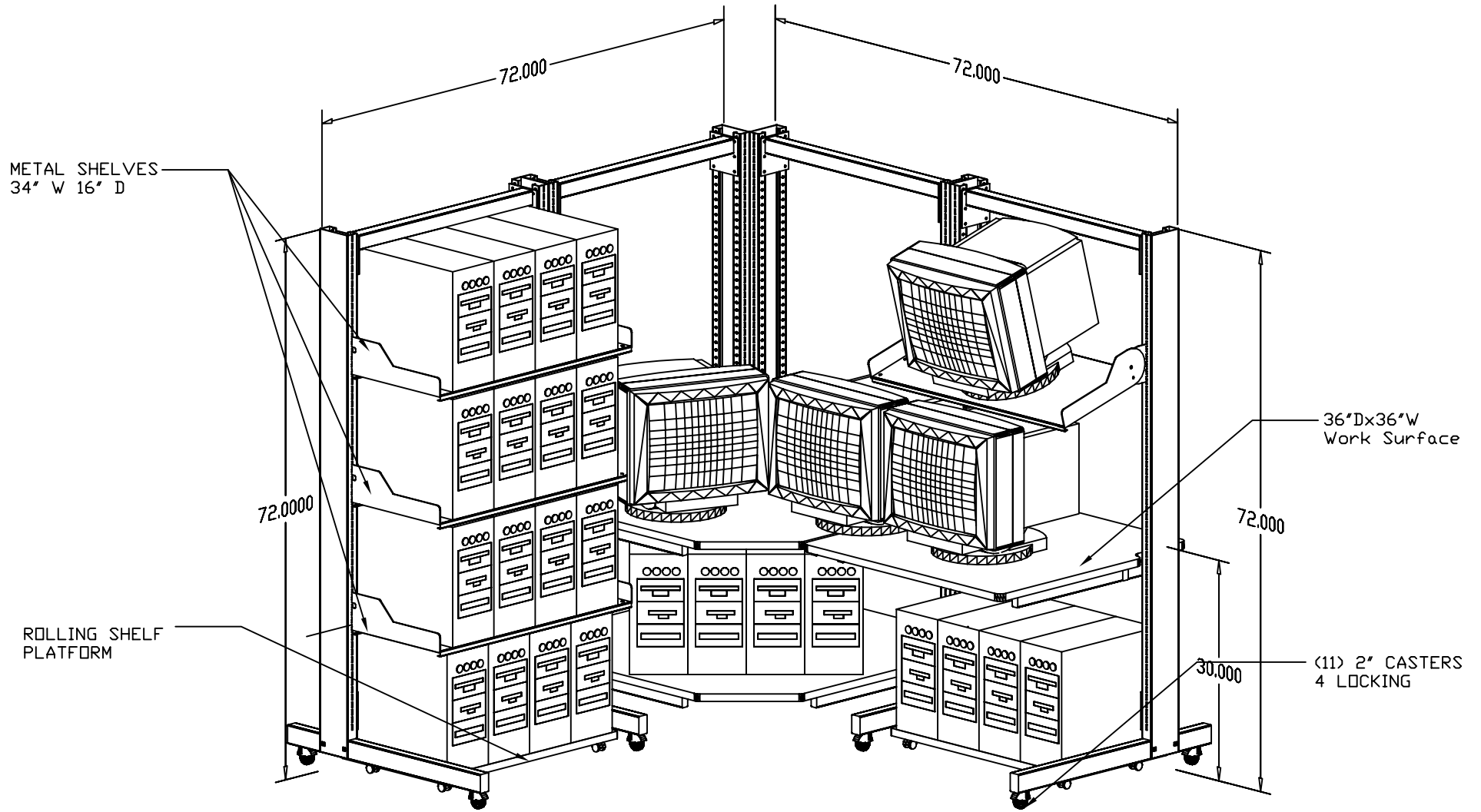
PATH :

Carts n Racks\Smart Racks\Corner Smart Racks

PDF NAME:

CSR7272722_S_4R_00_0_0_000_01

REV: SIZE
A



NOTES :

Option #3
Corner smart rack to accommodate 4 monitors and 24 CPU units

MATERIAL :

AS NOTED ABOVE

TOLERANCES UNLESS OTHERWISE SPECIFIED

FRACTIONAL ±1/64
2-PLC. DEC. ±.01
3-PLC. DEC. ±.001
ANGULAR ±.5°
FINISH 32/

DRAWN BY : DJW

DATE: 02/10/05

A P P R O V E D

DESCRIPTION :

Corner Smart Rack

ENG :

MFG :

QA :

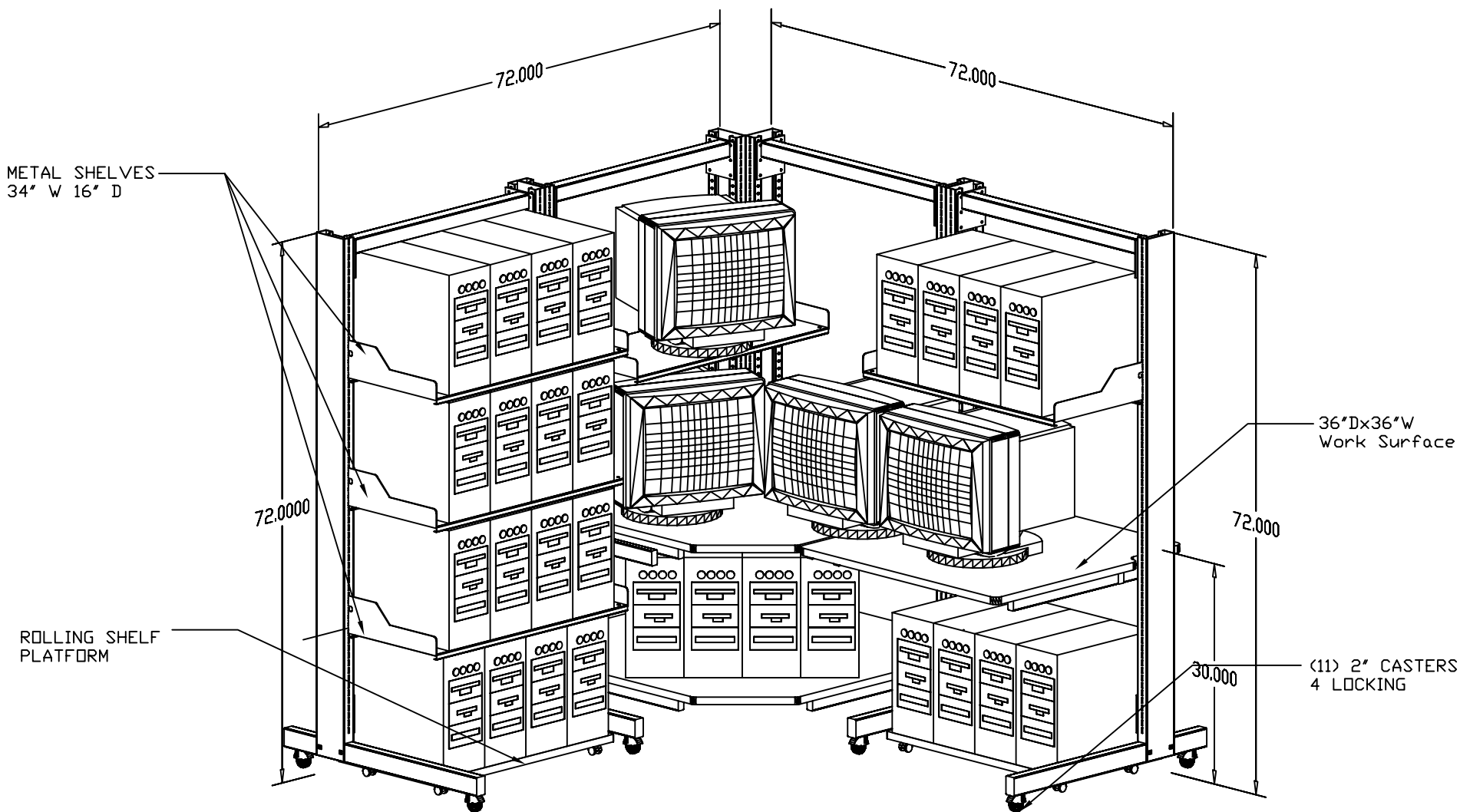
SCALE : N.T.S.

USED ON :
Visicu

PATH :
Carts n Racks\Smart Racks\Corner Smart Racks

PDF NAME:
CSR7272722_S_4R_00_0_0_000_01

REV: SIZE
A



NOTES :

Option #2
Corner smart rack to accommodate 4 monitors and 24 CPU units

MATERIAL :
AS NOTED ABOVE

TOLERANCES UNLESS OTHERWISE SPECIFIED

FRACTIONAL	±1/64
2-PLC. DEC.	±.01
3-PLC. DEC.	±.001
ANGULAR	±.5°
FINISH	32/

DRAWN BY : DJW

DATE: 02/10/05

A P P R O V E D

ENG :

MFG :

QA :

SCALE : N.T.S.

DESCRIPTION :
Corner Smart Rack

USED ON :
Visicu

PATH :
Carts n Racks\Smart Racks\Corner Smart Racks

PDF NAME:
CSR7272722_S_4R_00_0_0_000_01

REV: SIZE
A