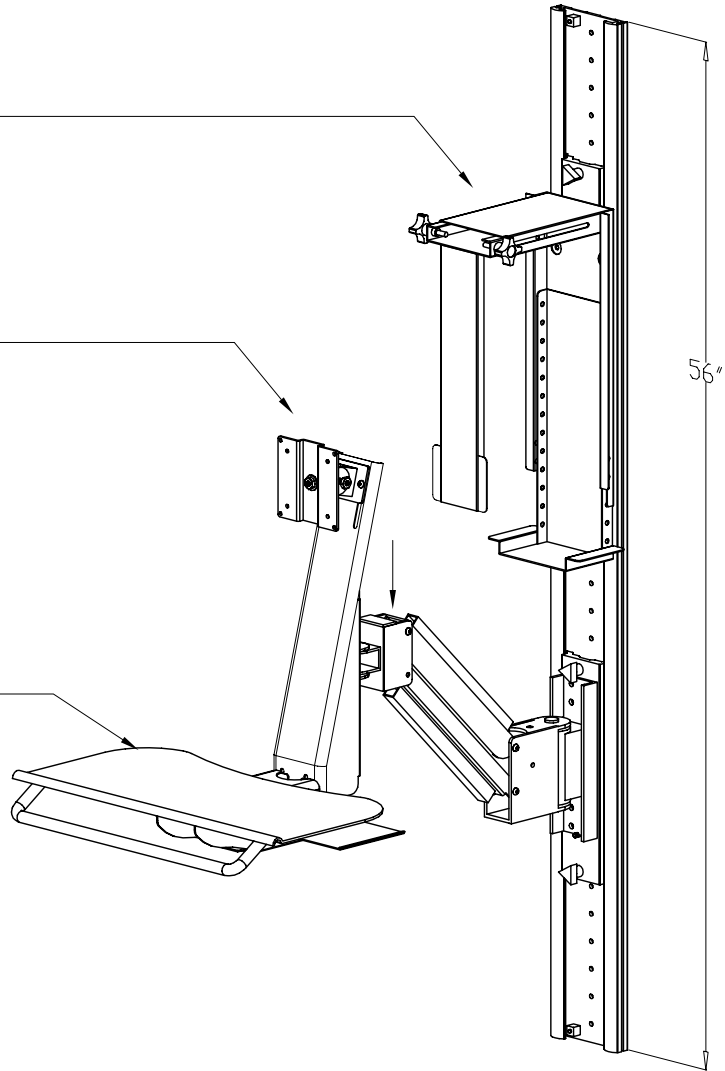


CS 13-25

AFC 78_WM_12_01

Keyboard Tray with
Sliding mouse tray



All components are individually height adjustable.

NOTES :

MATERIAL :
AS NOTED ABOVE

TOLERANCES UNLESS OTHERWISE SPECIFIED

FRACTIONAL ±1/64
2 PLC. DEC. ±.01
3PLC. DEC. ±.001
ANGULAR ±.5°
FINISH √

DRAWN BY : VGM

A P P R O V E D

ENG :

MFG :

QA :

SCALE : N.T.S.

DATE: 10-05-06

SHEET : 1 OF 1

DESCRIPTION :

USED ON :

PATH :
WALL MOUNTS\2006WM\SALES

PDF NAME:
WM-C-AFC78-01

REV: A
SIZE A