

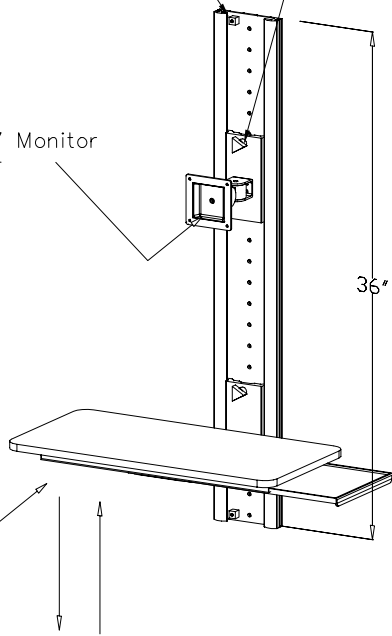
(2) Safety Stopper at both ends.
Spring loaded knob for height Adjustment

AFC17 Monitor holder

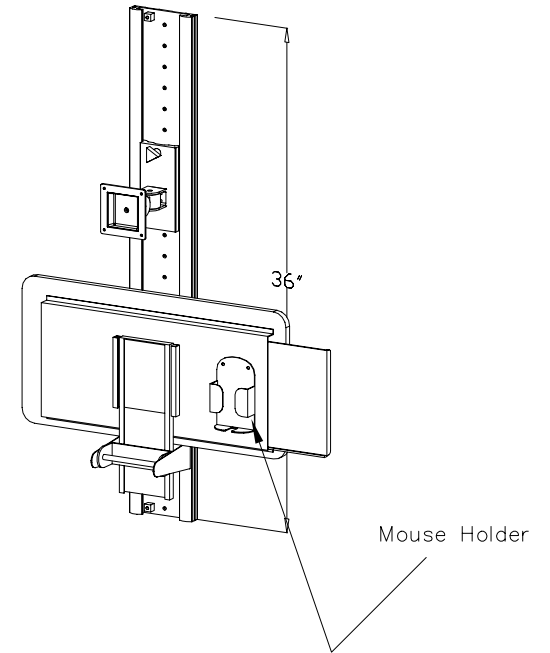
36"

Retractable and Foldable Keyboard Holder

Monitor & KeyboardHolder individually Height Adjustable



Monitor & KeyboardHolder individually Height Adjustable



Mouse Holder

NOTES : ALL UNITS IN INCHES.
BREAK CORNERS AS SPECIFIED RADII

MATERIAL :

TOLERANCES UNLESS OTHERWISE SPECIFIED
FRACTIONAL ±1/64
2 PLC. DEC. ±.01
3PLC. DEC. ±.001
ANGULAR ±.5°
FINISH √

DRAWN BY : Larisa V.

DATE: 03/20/06

A P P R O V E D

ENG :

MFG :

QA :

SCALE : N.T.S.

DESCRIPTION : Wall Mount

USED ON :

PATH : F:\Assembly\Wall Mount\Wall Mount 2006\Sales\cad:WM36in track

PDF NAME:

WM-MK

REV: SIZE
A