

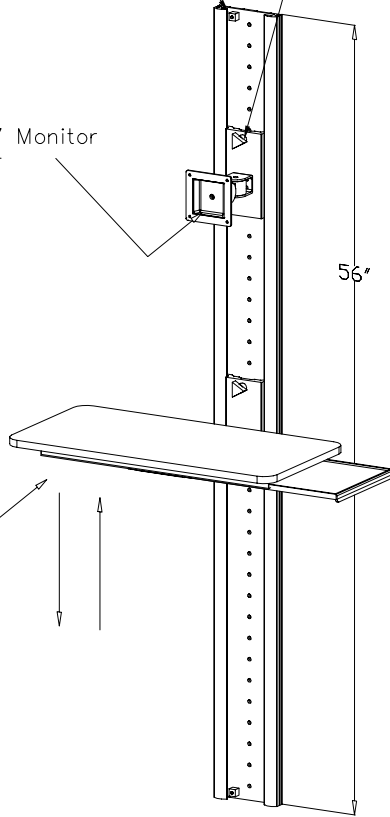
(2) Safety Stopper at both ends.

Spring loaded knob for height Adjustment

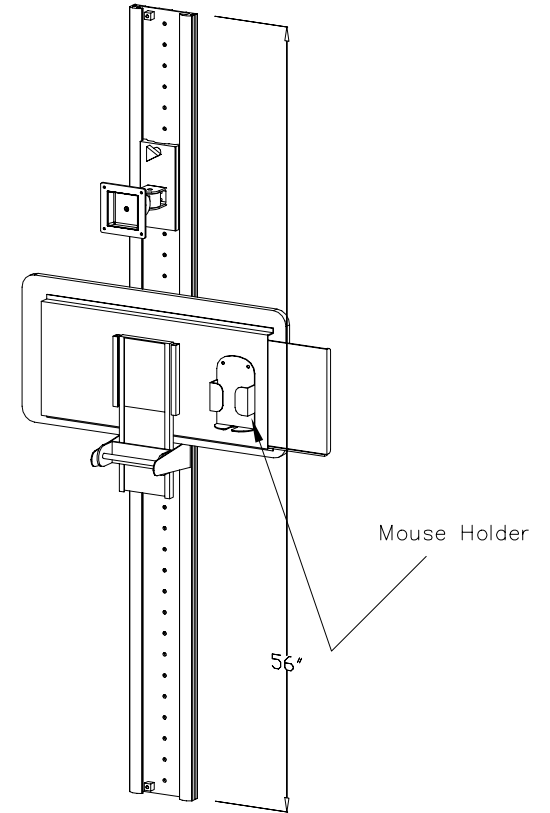
AFC17 Monitor holder

Retractable and Foldable Keyboard Holder

Monitor & KeyboardHolder individually Height Adjustable



Monitor & KeyboardHolder individually Height Adjustable



NOTES : ALL UNITS IN INCHES.  
BREAK CORNERS AS SPECIFIED RADII

MATERIAL :

TOLERANCES UNLESS OTHERWISE SPECIFIED  
FRACTIONAL ±1/64  
2 PLC. DEC. ±.01  
3PLC. DEC. ±.001  
ANGULAR ±.5°  
FINISH √32

DRAWN BY : Larisa V.

DATE: 02/10/06

DESCRIPTION : Wall Mount

A P P R O V E D

ENG :

MFG :

QA :

SCALE : N.T.S.

USED ON :

PATH : F.Assmbly(PDF)\Wall Mount\2006WM \ SALES\WM56in track

PDF NAME:

WM-RK-1M

REV: SIZE  
A