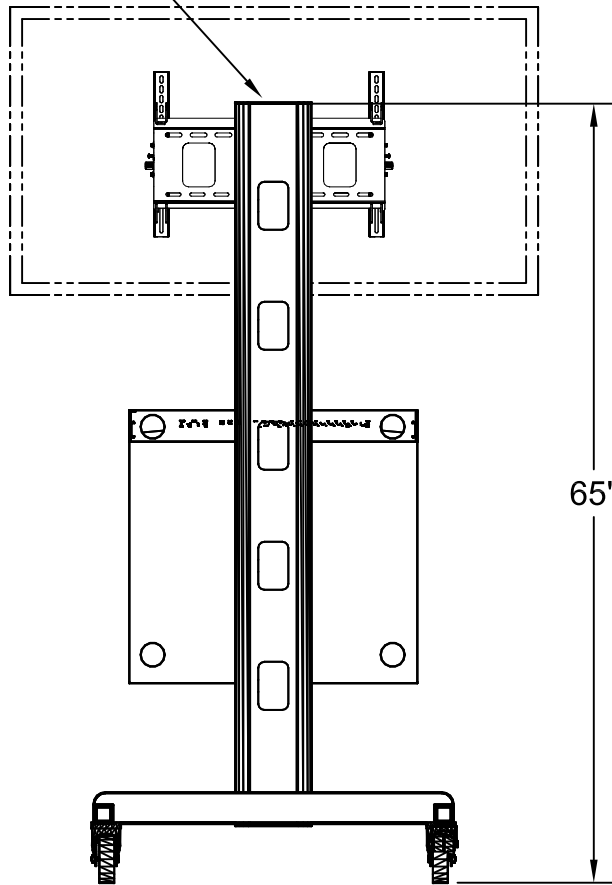


Built in Cable Management



BACK VIEW

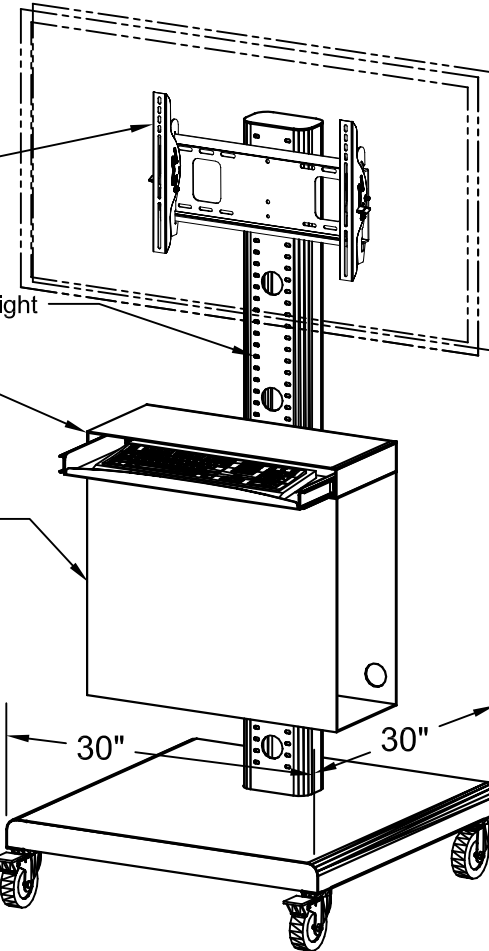
LCD Monitor Holder AFC 2346*

Holes for Height Adjustment

Retractable KB Tray

CPU Compartment 24"Wx10"Dx18"H

(4) 4" Casters
(2) Locking



ISOMETRIC VIEW

NOTES:
* LCD MODEL HAS TO BE SPECIFIED TO CONFIRM IF THE HOLDER WILL FIT.

MATERIAL:
TOLERANCES UNLESS OTHERWISE SPECIFIED
FRACTIONAL ±1/64
2 PLC. DEC. ±.01
3 PLC. DEC. ±.001
ANGULAR ±.5°
FINISH $\sqrt{32}$

DRAWN BY: BD
DATE: 02/08/10
APPROVED
ENG:
MFG:
QA:
NOT TO SCALE
SHEET: 1 OF 1

DESCRIPTION:
M² COMPUTING CART
USED ON:
PATH:
Fin Assy\Carts...XLCD\
PDF NAME:
XLCD_3030_05
REV: A
SIZE: A